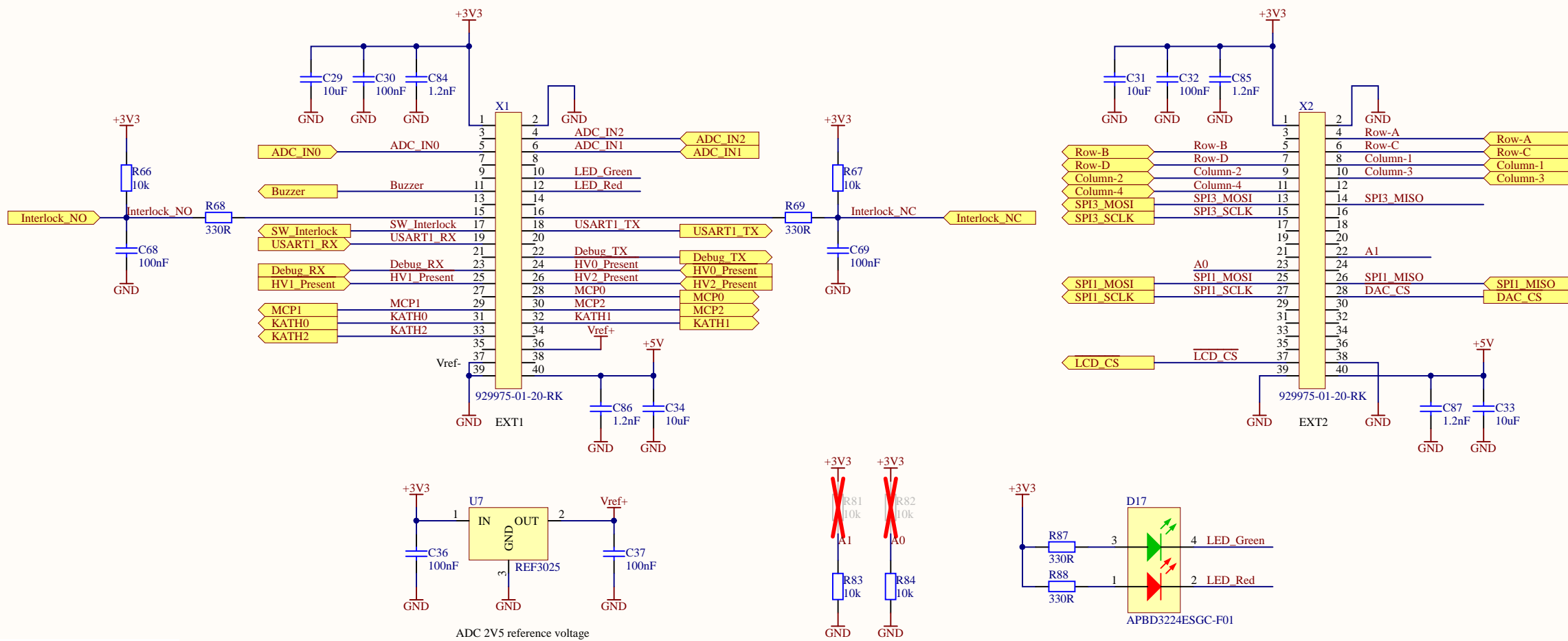


		Title: HSB MRTS Kathode-MCP Top	
		Drawn: TLa	Number: 1.
Checked: GSc	Date: 6-12-2017	Sheet: 1 of 6	
File: Top.SchDoc			

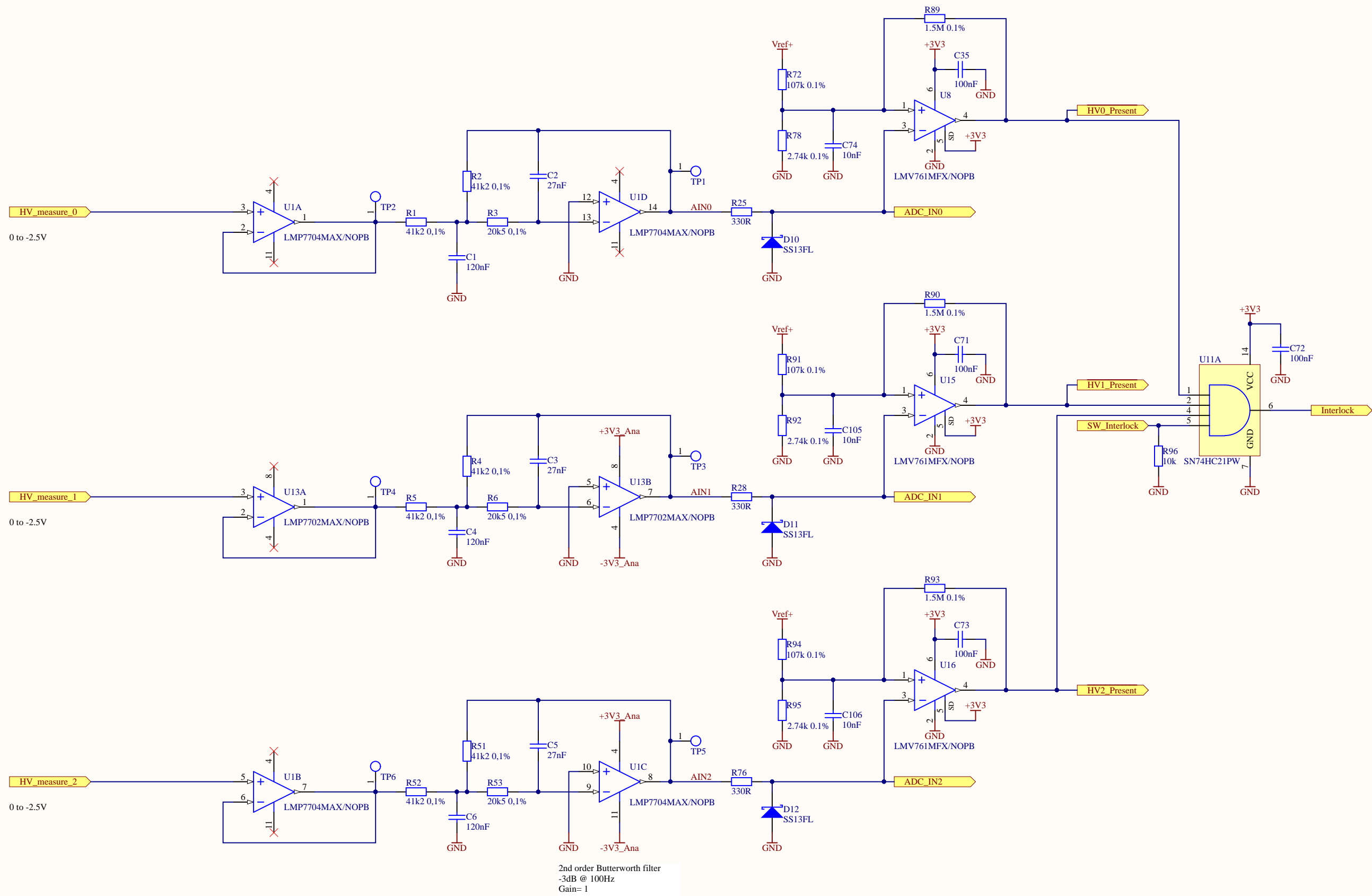


Remove jumper PWR_SEL
Remove resistor R2

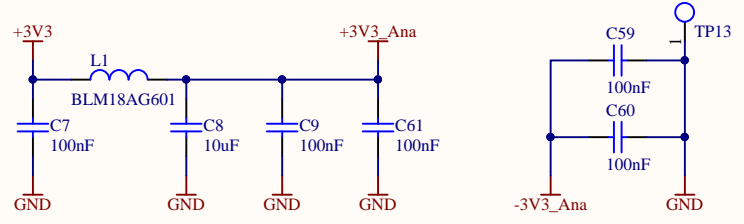
A1	A0	0	1
MLA-0387-A0	0	0	
MLA-0387-A1	0	1	
MLA-0387-A2	1	0	

M4
STM32-H107

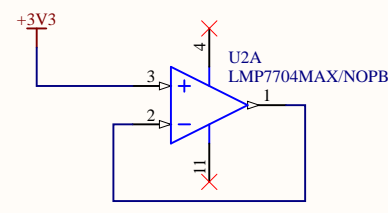
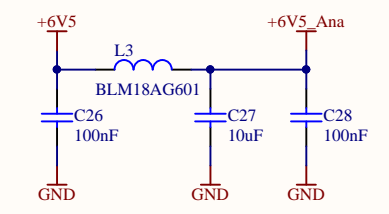
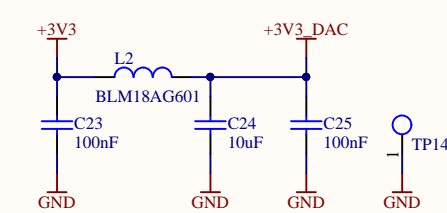
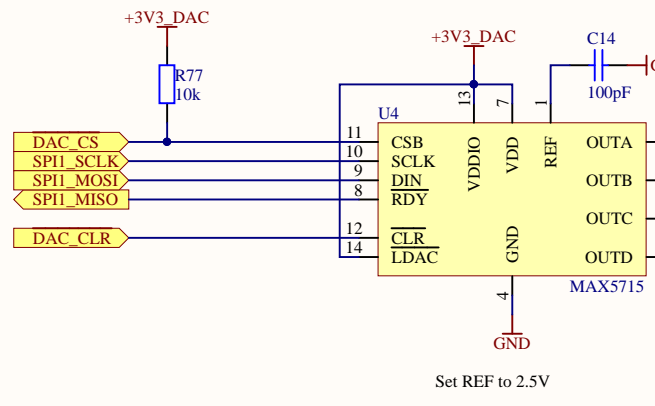
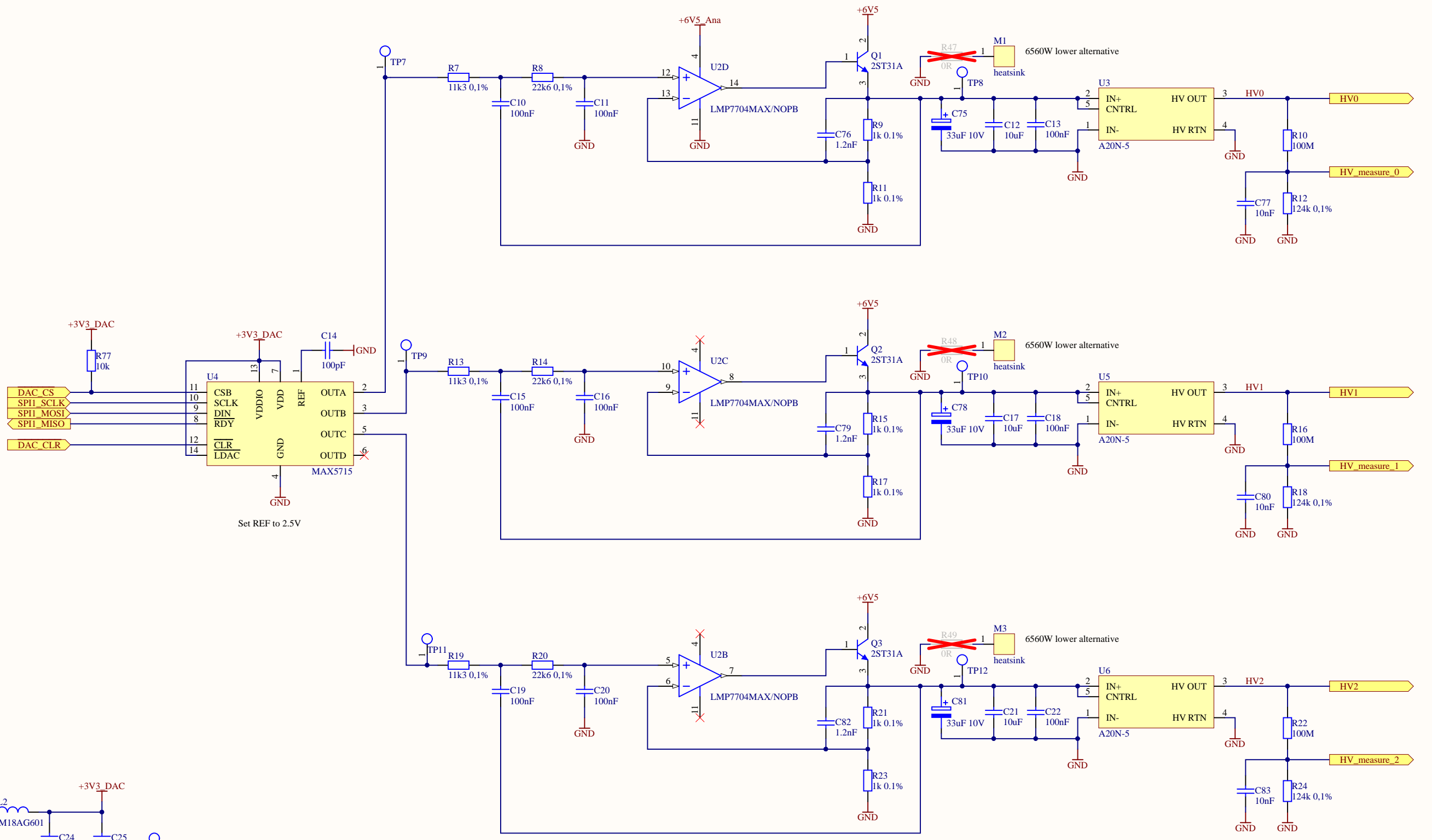
	Title: Microcontroller	
	Drawn: TLa	Number: 2.
Checked: GSc	Date: 6-12-2017	Sheet: 2 of 6
File: Microcontroller.SchDoc		



2nd order Butterworth filter
 -3dB @ 100Hz
 Gain=1

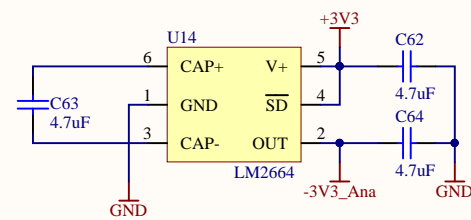
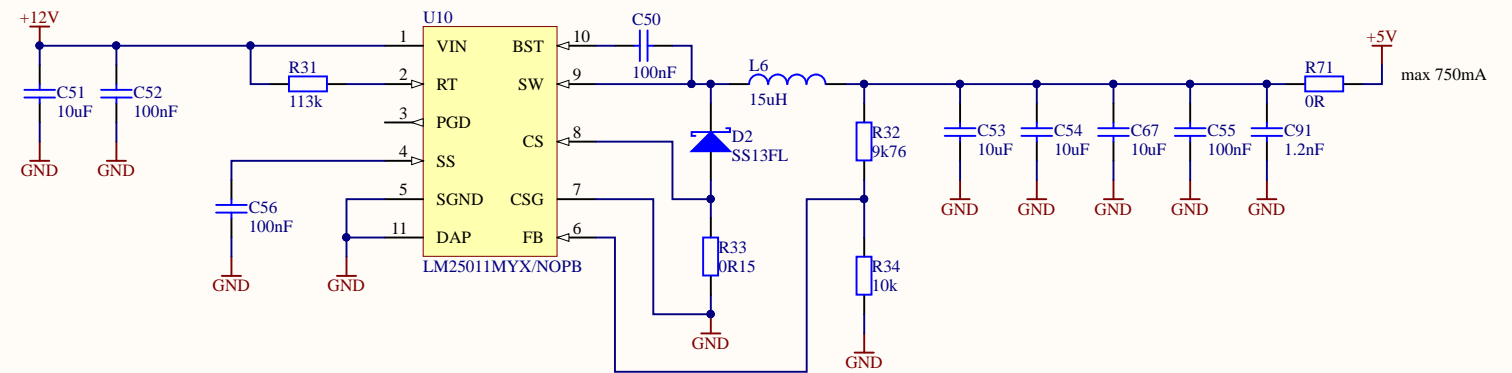
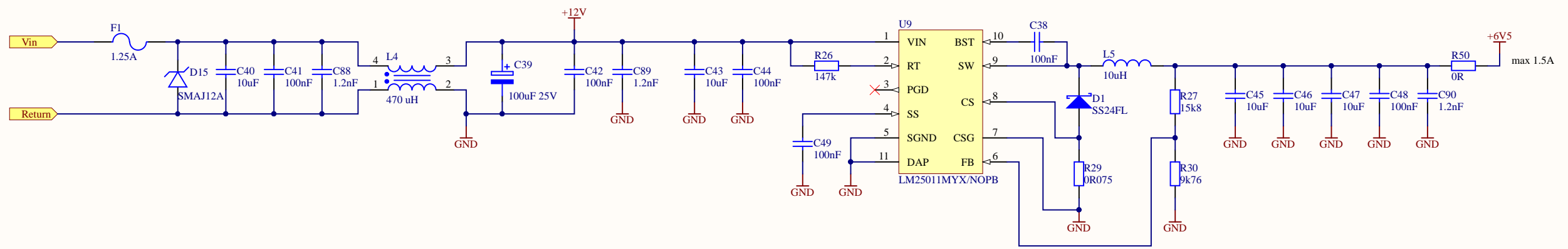


		Title: Analog In	
Drawn: TLa	Number: 3.	Rev: MLA-0387-A0 PB1	
Checked: GSc	Date: 6-12-2017	Sheet: 3 of 6	
File: Analog in.SchDoc			

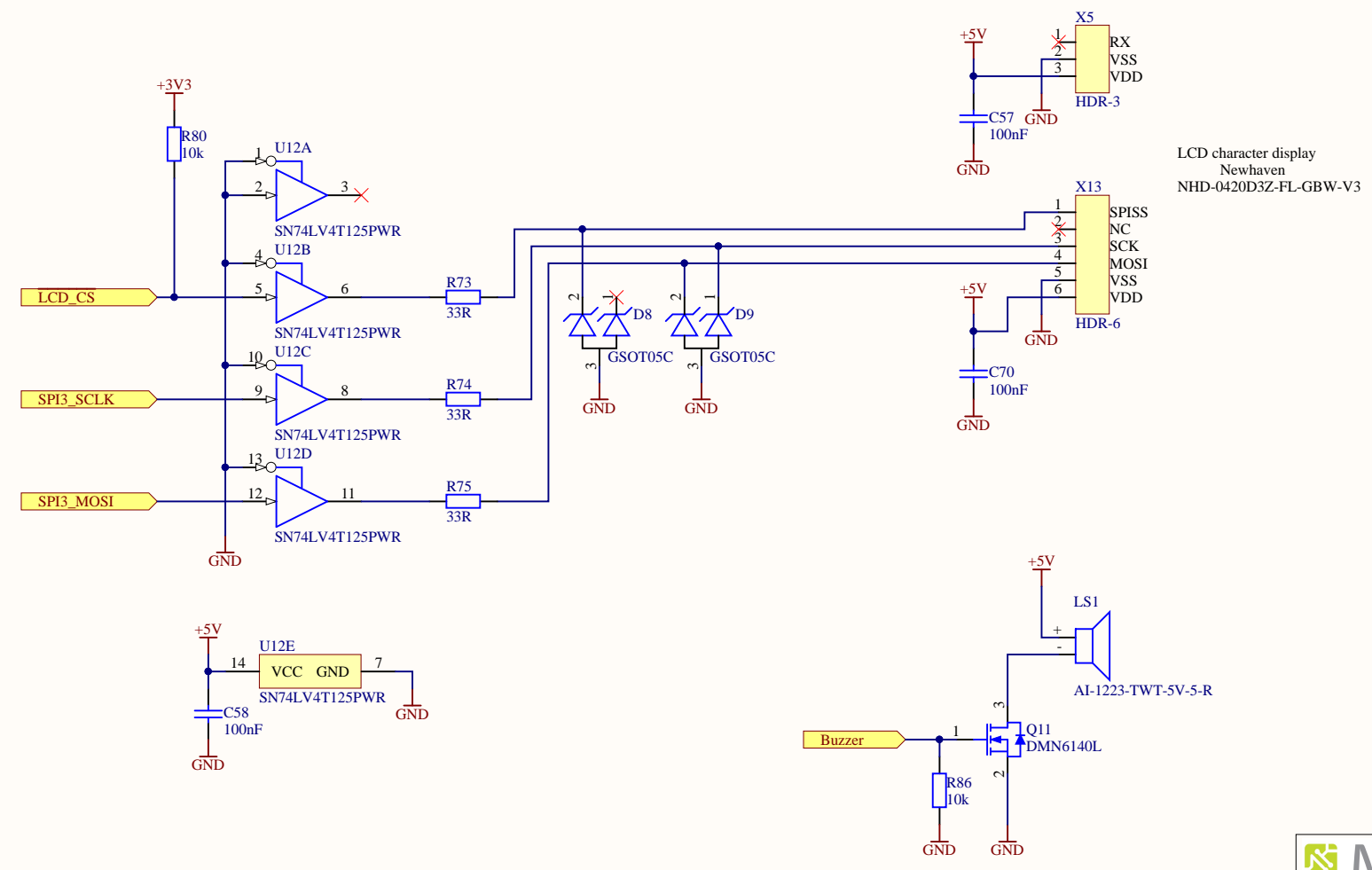
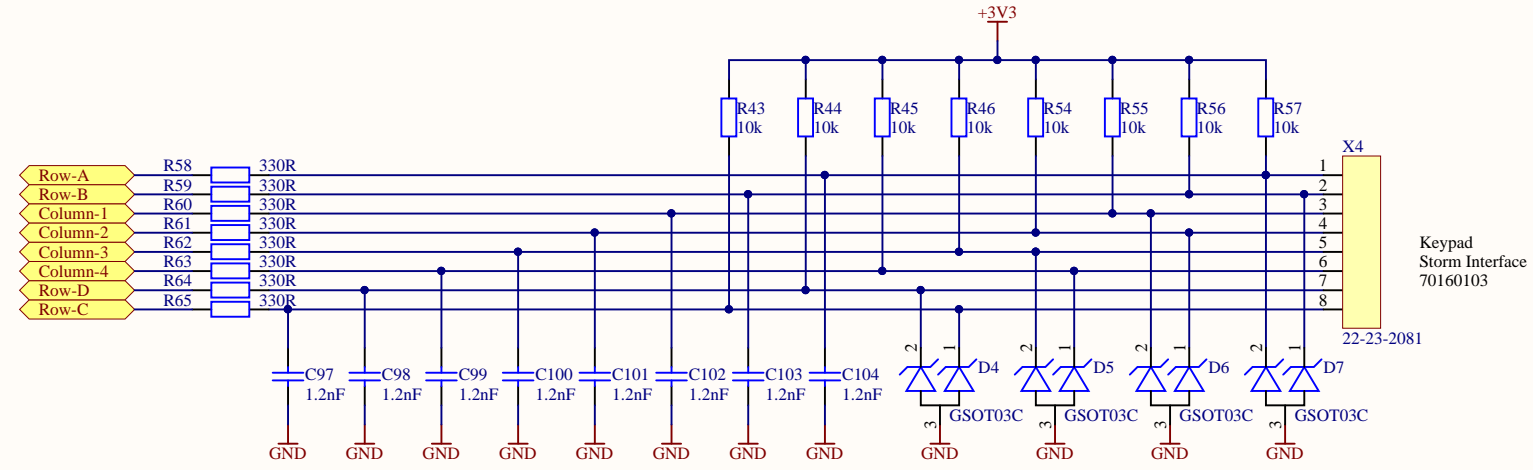


2nd order Butterworth filter
 -3dB @ 100Hz
 Gain= 2

		Title: High Voltage Power Supplies	
Drawn: TLa	Number: 4.	Rev: MLA-0387-A0 PB1	
Checked: GSc	Date: 6-12-2017	Sheet: 4 of: 6	
File: HV Power supplies.SchDoc			



	Title: Power Supplies	
	Drawn: TLa	Number: 5.
Checked: GSc	Date: 6-12-2017	Sheet: 5 of 6
File: Power supplies.SchDoc		



	Title: User Interface	
	Drawn: TLa	Number: 6.
Checked: GSc	Date: 6-12-2017	Sheet: 6 of 6
File: User Interface.SchDoc		