

A

B

C

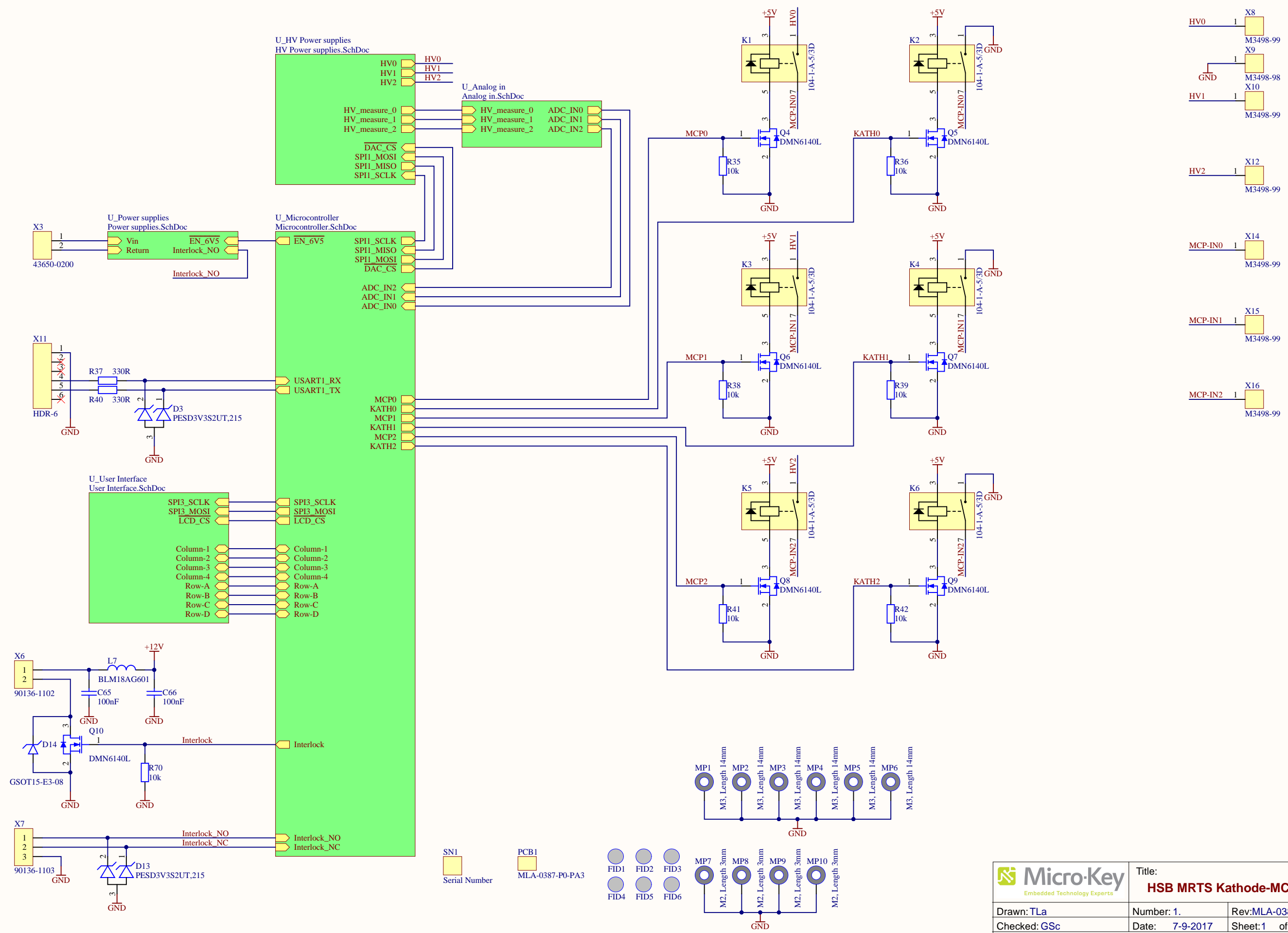
D

A

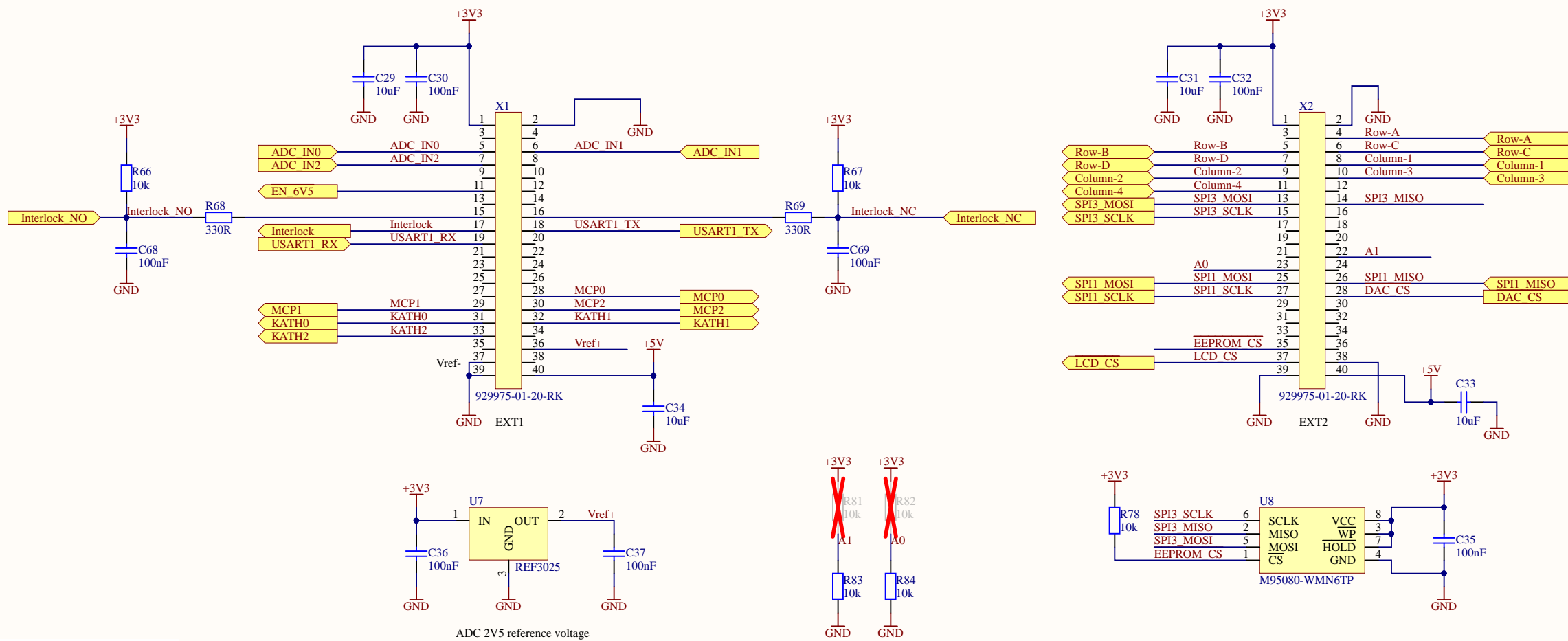
B

C

D



		Title:	
		<b>HSB MRTS Kathode-MCP Top</b>	
Drawn: TLa	Number: 1.	Rev: MLA-0387-A0 PA3	
Checked: GSc	Date: 7-9-2017	Sheet: 1 of 6	
File: Top.SchDoc			

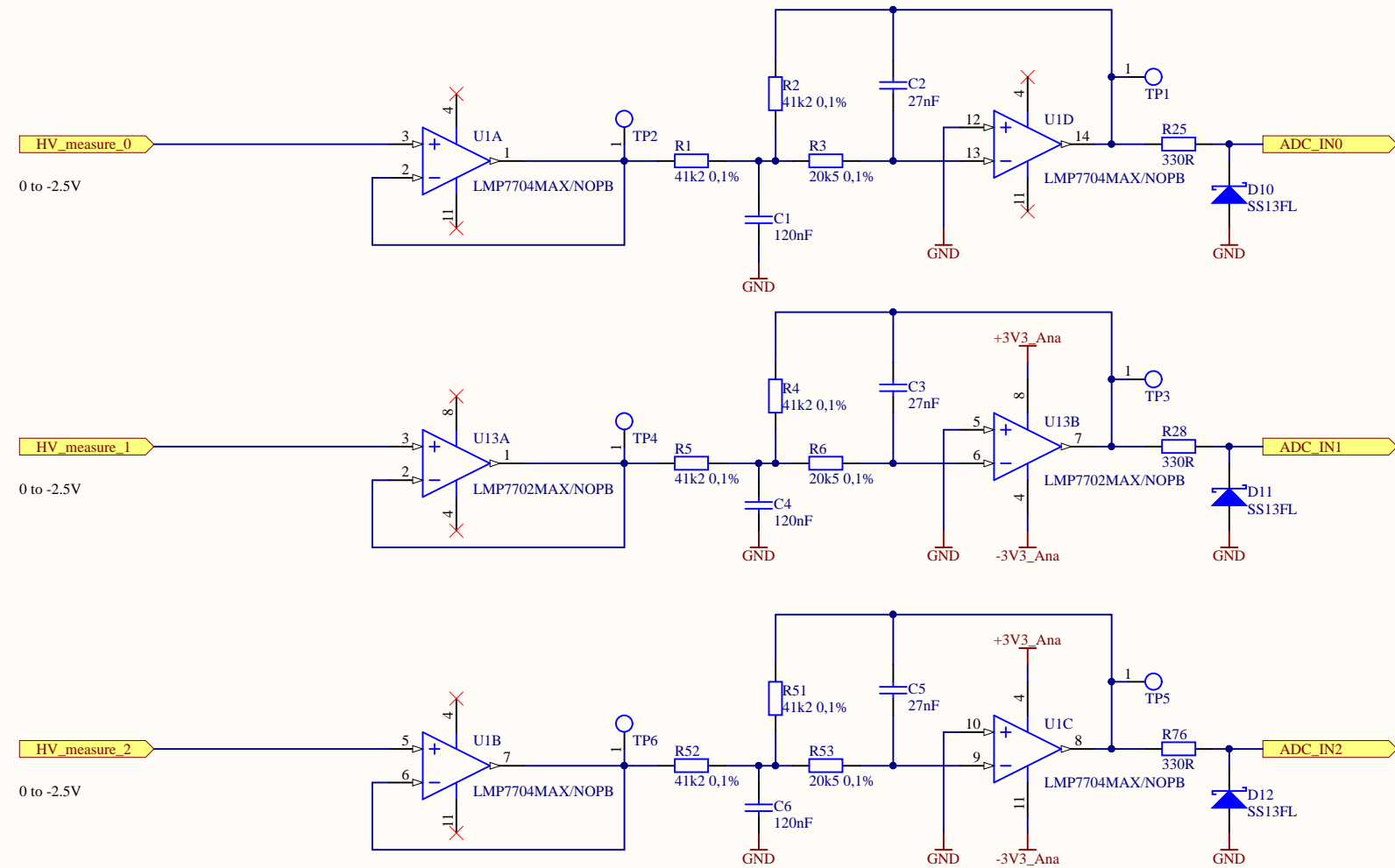


Remove jumper PWR\_SEL  
Remove resistor R2

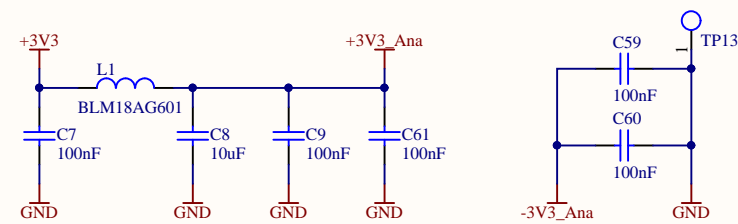
A1	A0	0	0
MLA-0387-A0		0	0
MLA-0387-A1		0	1
MLA-0387-A2		1	0

M4  
STM32-H107

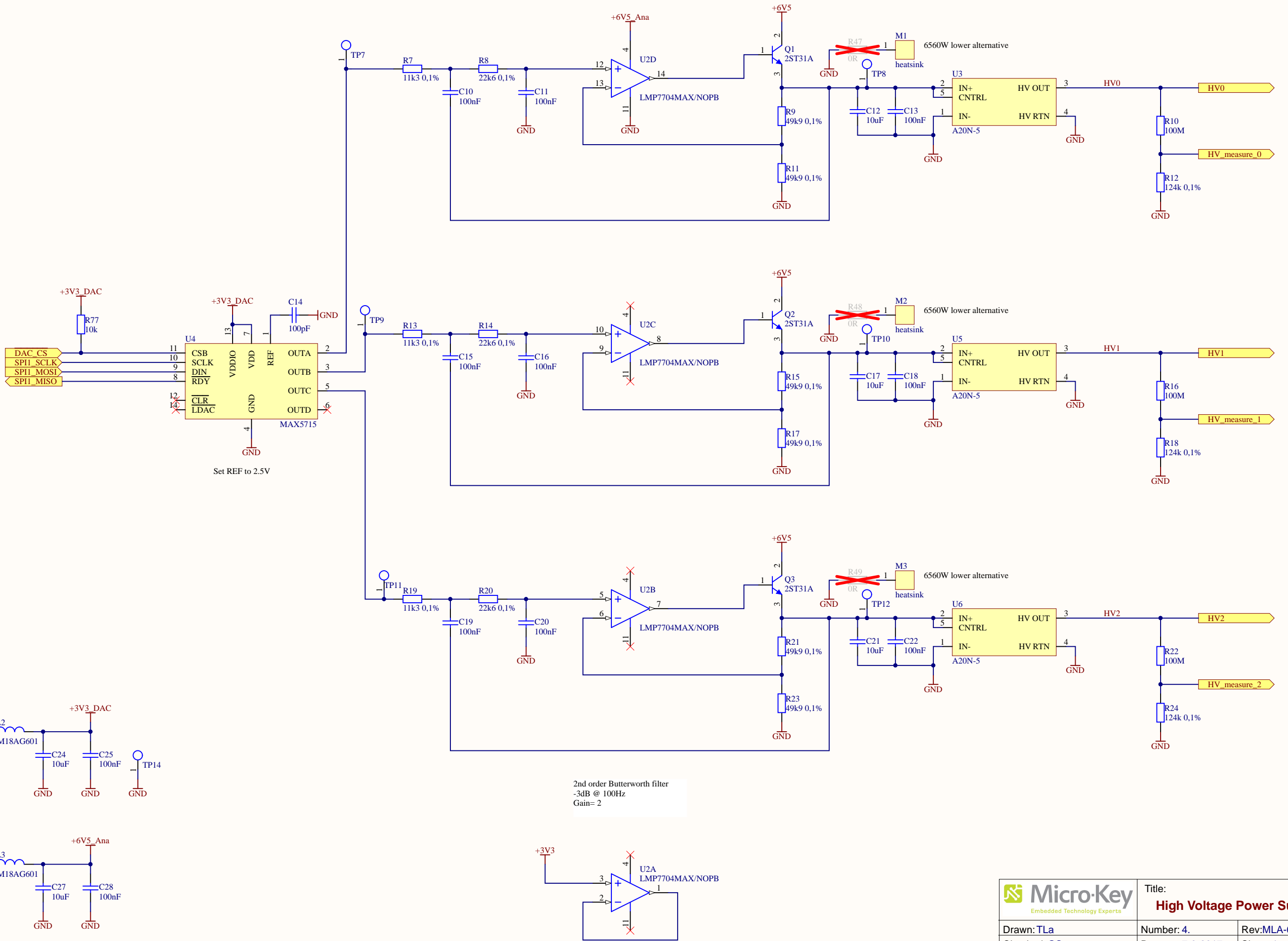
	Title: <b>Microcontroller</b>	
	Drawn: TLa	Number: 2.
Checked: GSc	Date: 7-9-2017	Sheet: 2 of 6
File: Microcontroller.SchDoc		



2nd order Butterworth filter  
 -3dB @ 100Hz  
 Gain= 1



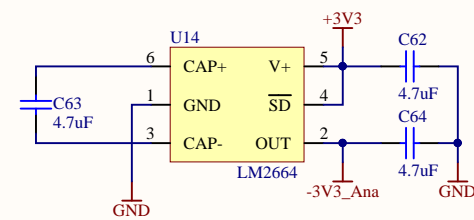
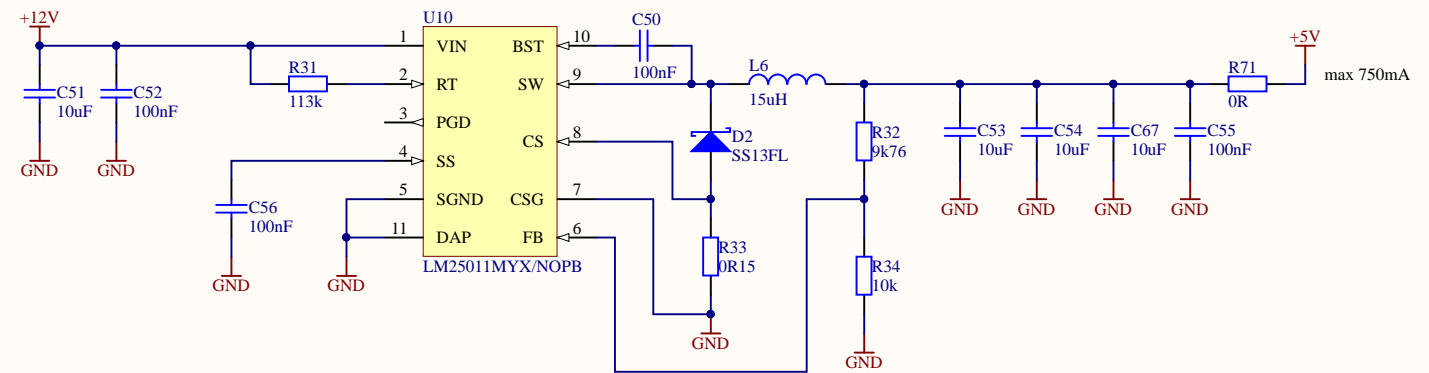
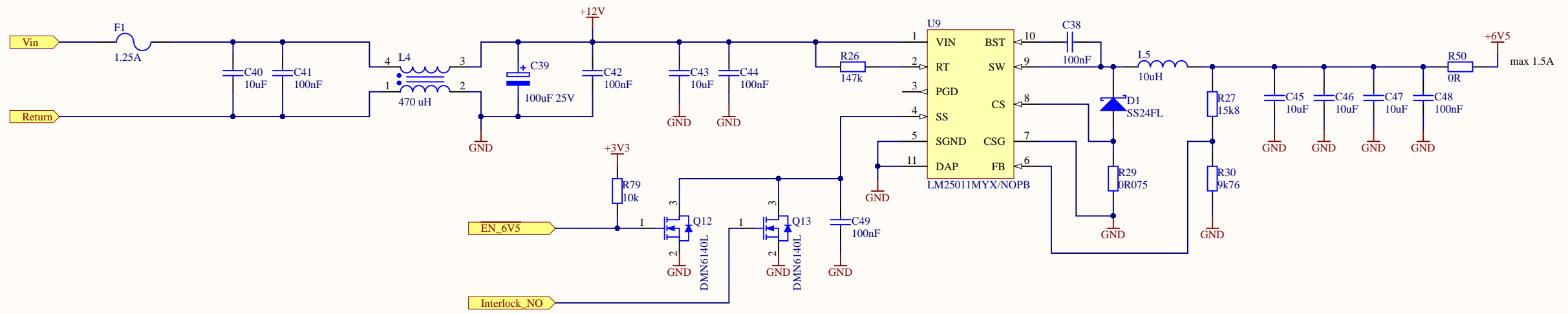
	Title: <b>Analog In</b>	
	Drawn: TLa	Number: 3.
Checked: GSc	Date: 7-9-2017	Sheet: 3 of 6
File: Analog in.SchDoc		



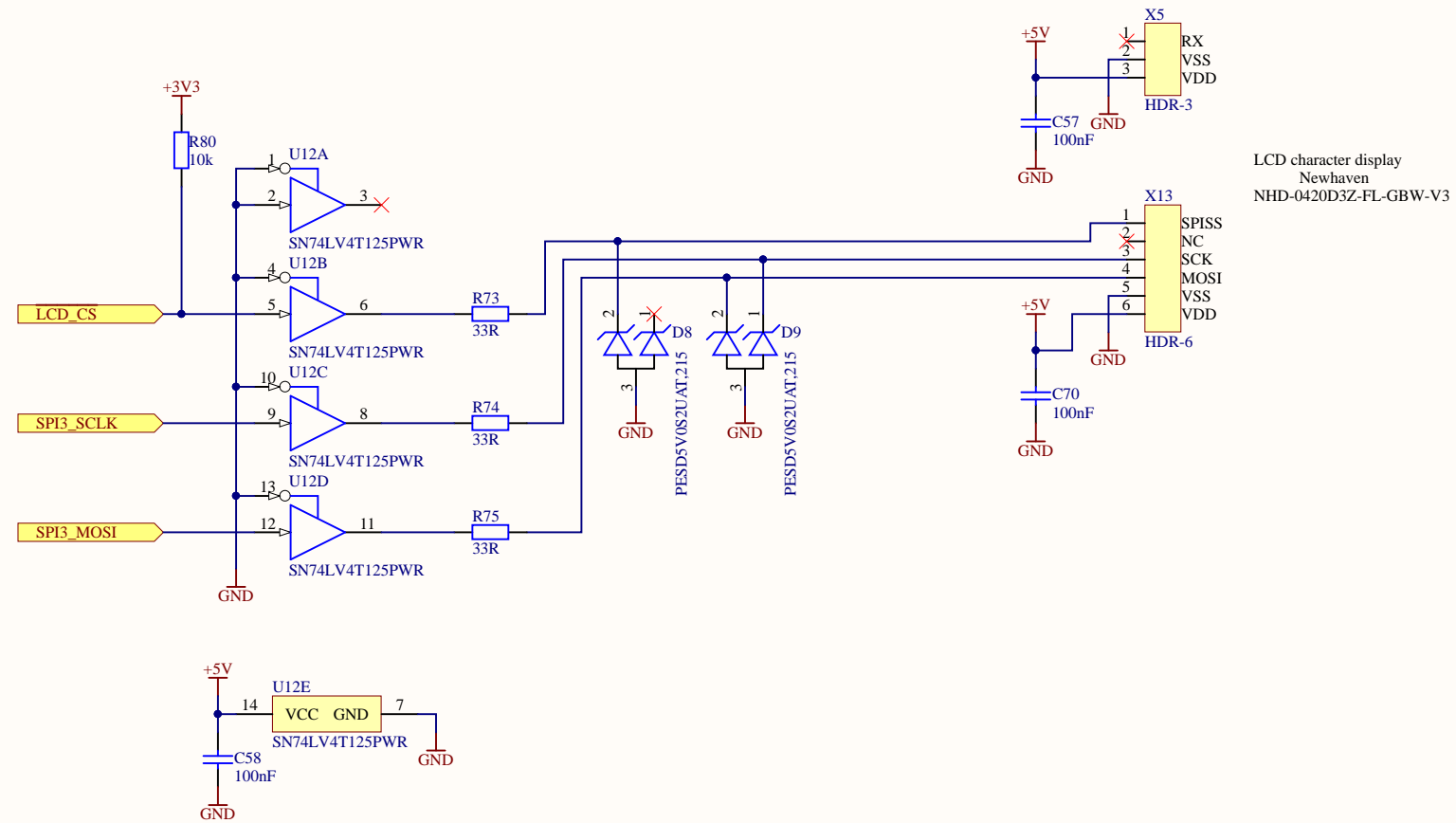
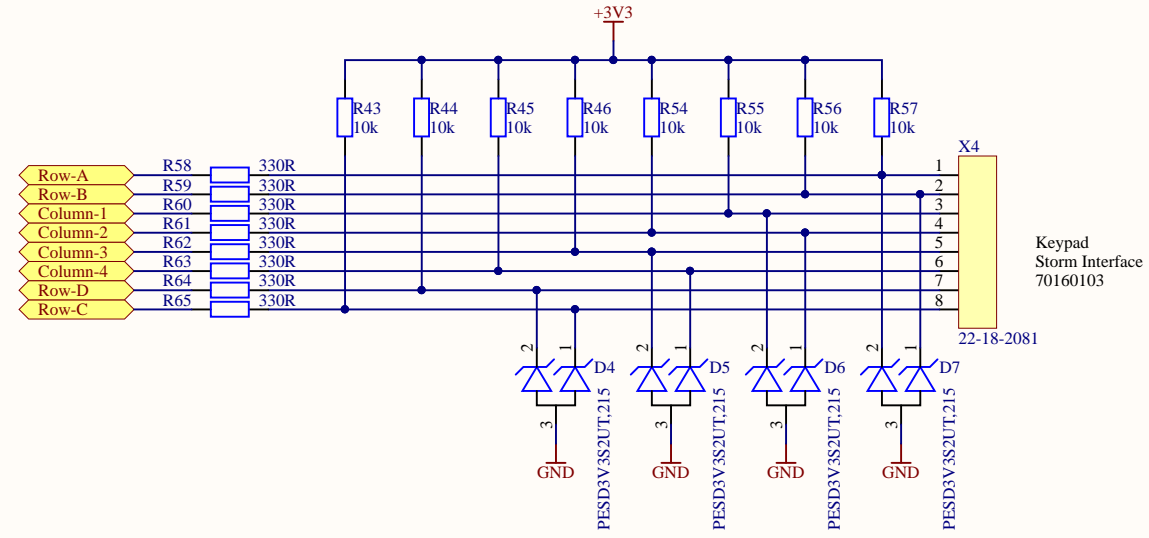
Set REF to 2.5V

2nd order Butterworth filter  
 -3dB @ 100Hz  
 Gain= 2

		Title: <b>High Voltage Power Supplies</b>	
		Drawn: TLa	Number: 4.
Checked: GSc	Date: 7-9-2017	Sheet: 4 of 6	
File: HV Power supplies.SchDoc			



	Title: <b>Power Supplies</b>	
	Drawn: TLa	Number: 5.
Checked: GSc	Date: 7-9-2017	Sheet: 5 of 6
File: Power supplies.SchDoc		



	Title: <b>User Interface</b>	
	Drawn: TLa	Number: 6.
Checked: GSc	Date: 7-9-2017	Sheet: 6 of: 6
File: User Interface.SchDoc		