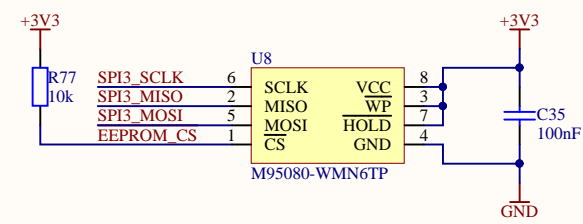
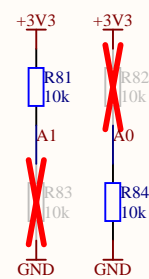
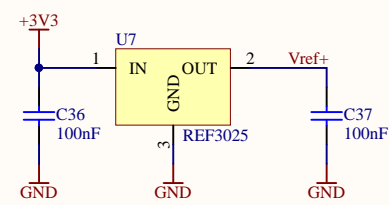
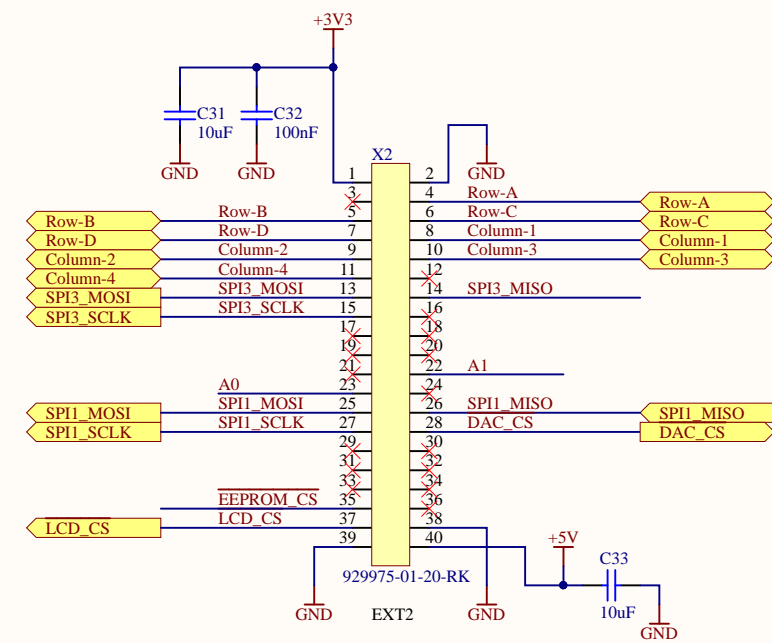
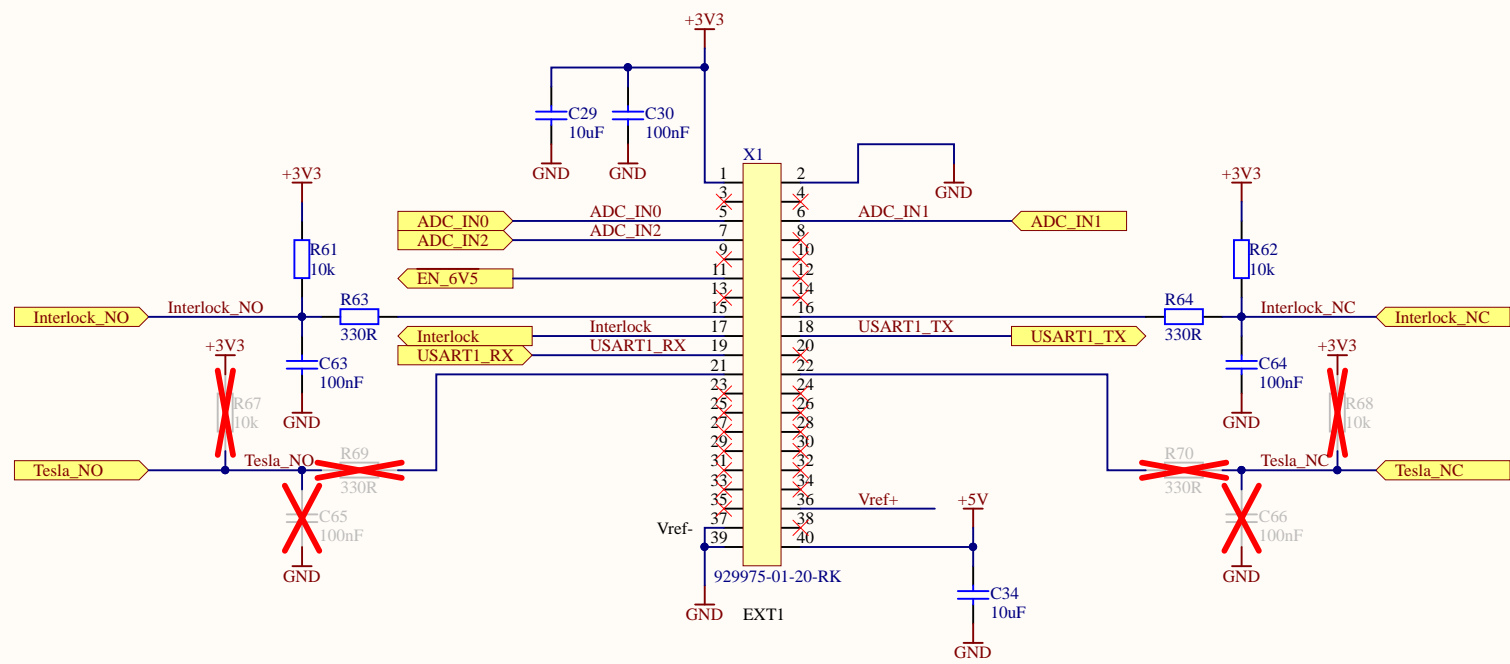


	Title: HSB MRTS Anode-Tesla Top	
	Drawn: TLa	Number: 1.
Checked: GSc	Date: 7-9-2017	Sheet: 1 of 6
File: Top.SchDoc		

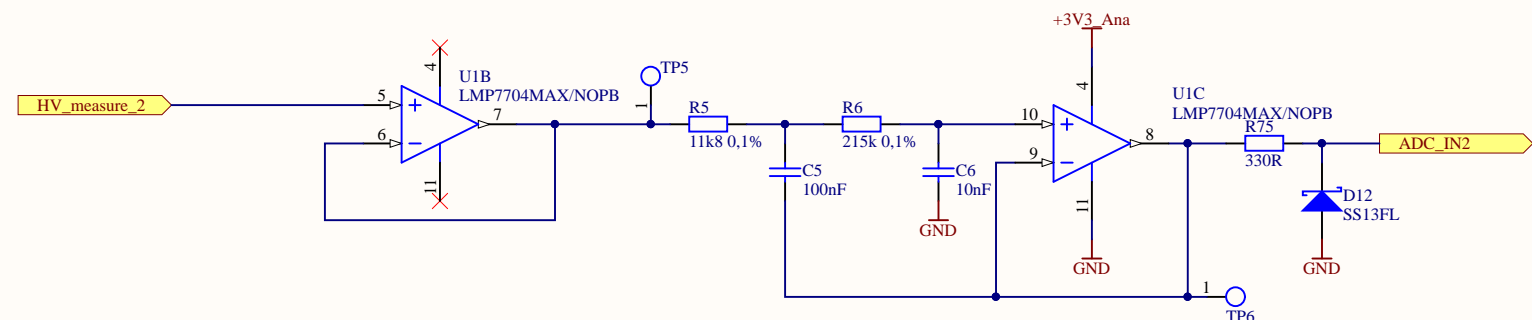
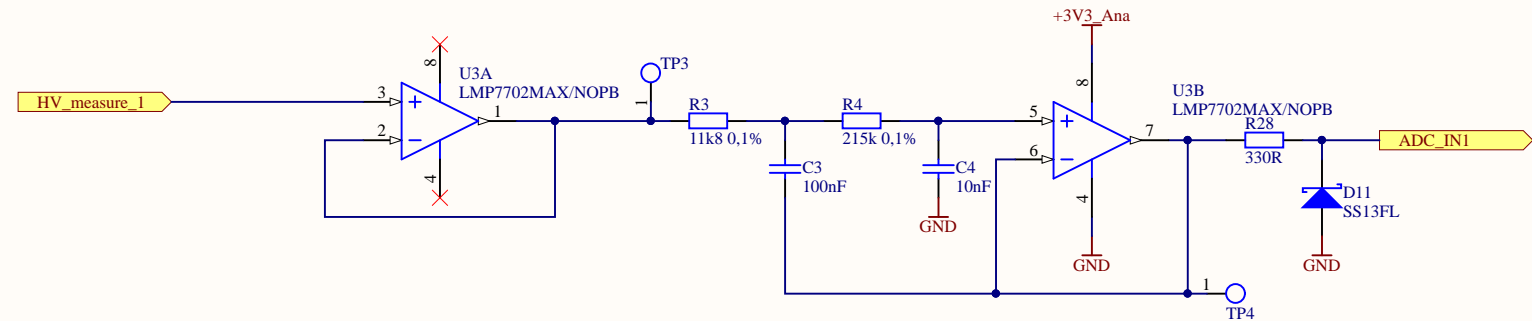
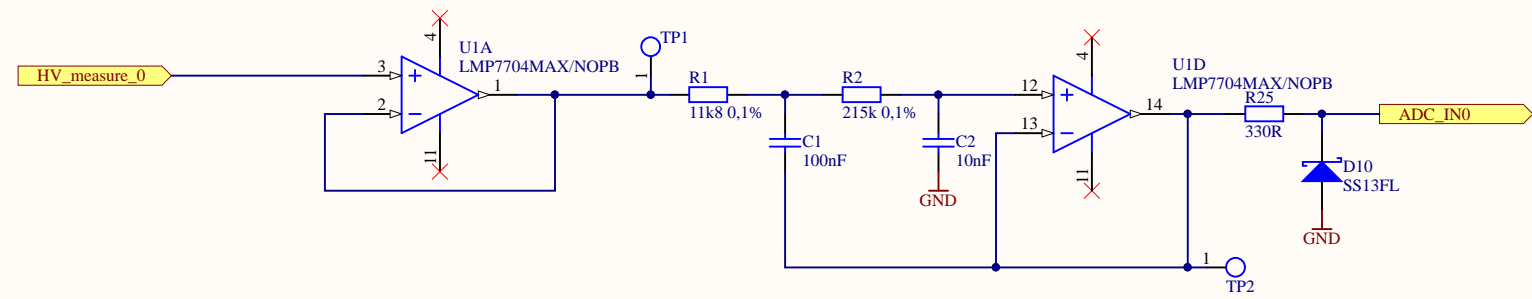


Remove jumper PWR_SEL
Remove resistor R2

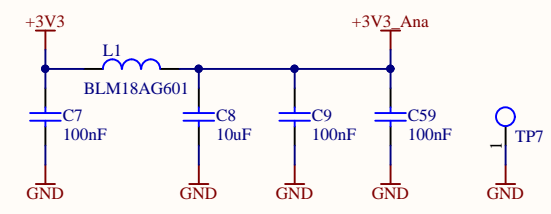
A1 A0
MLA-0387-A0 0 0
MLA-0387-A1 0 1
MLA-0387-A2 1 0

M5
STM32-H107

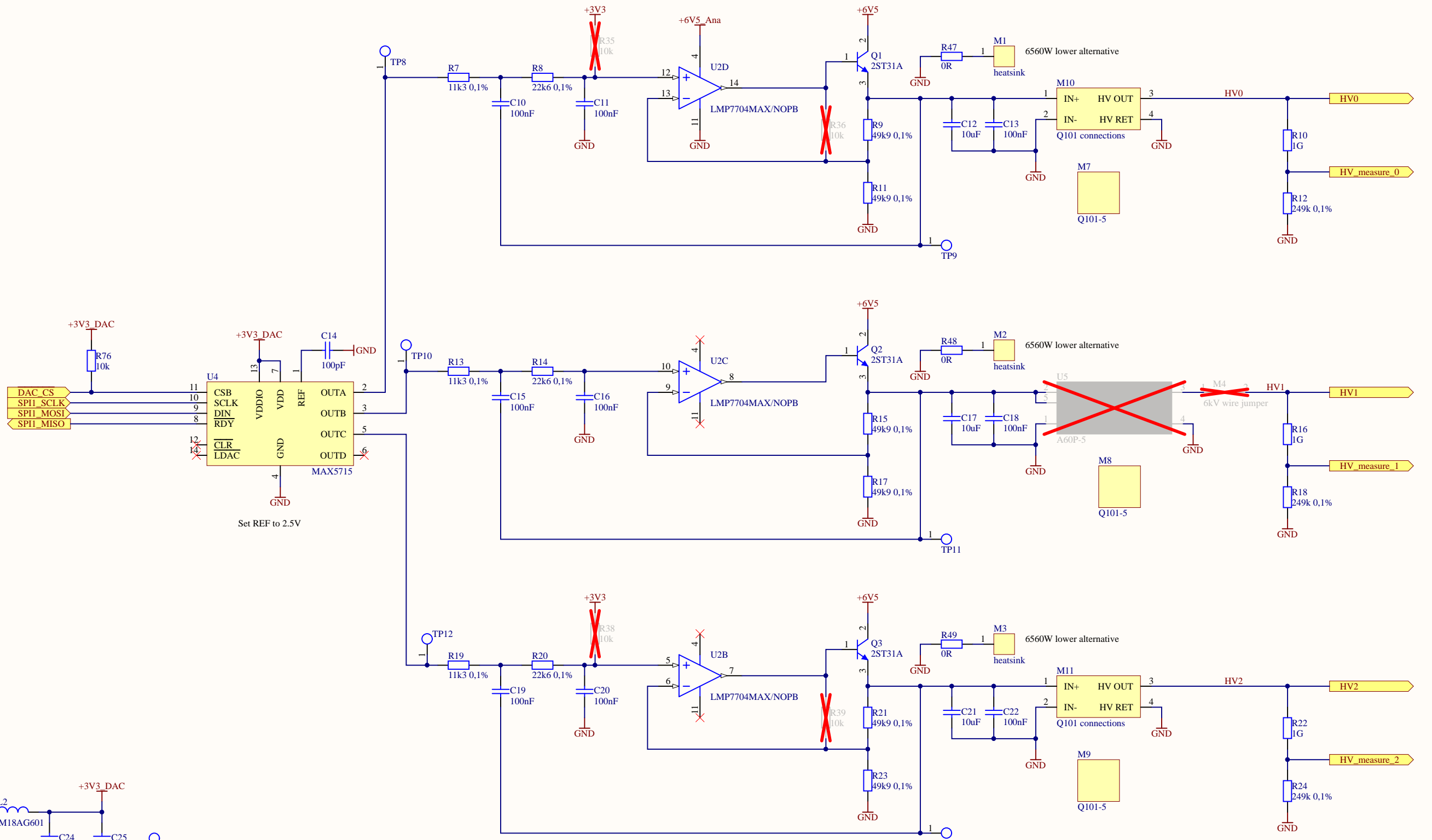
		Title: Microcontroller	
Drawn: TLa	Number: 2.	Rev: MLA-0387-A2 PA3	
Checked: GSc	Date: 7-9-2017	Sheet: 2 of: 6	
File: Microcontroller.SchDoc			



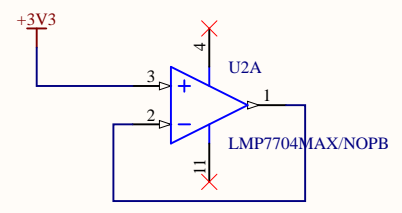
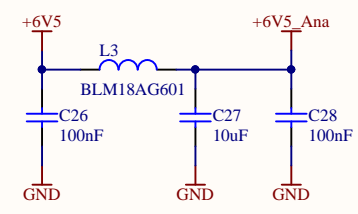
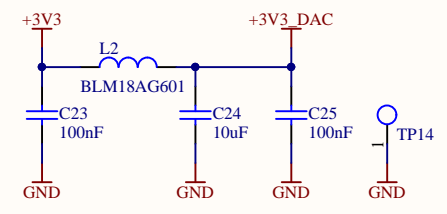
2nd order Butterworth filter
 -3dB @ 100Hz
 Gain= 1



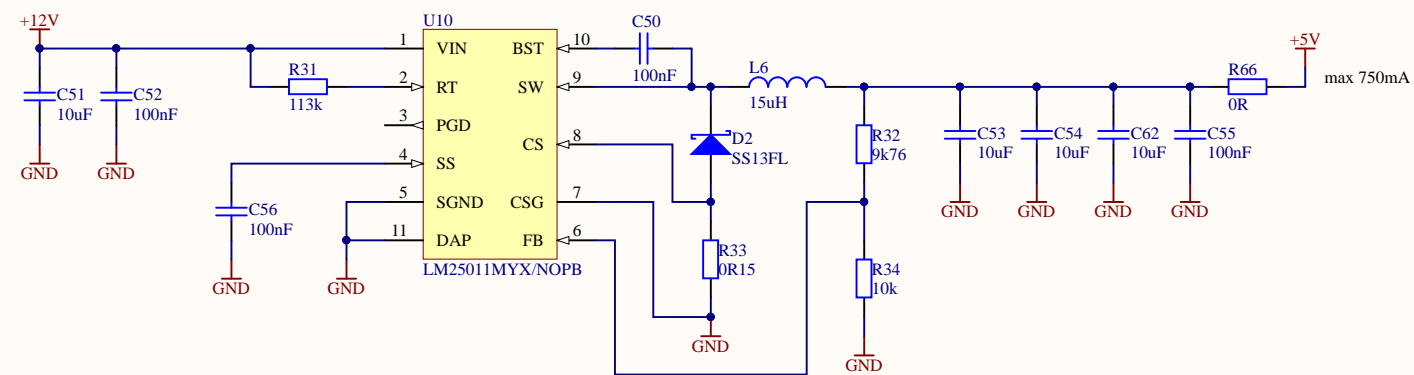
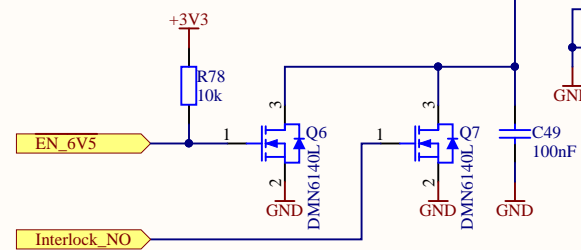
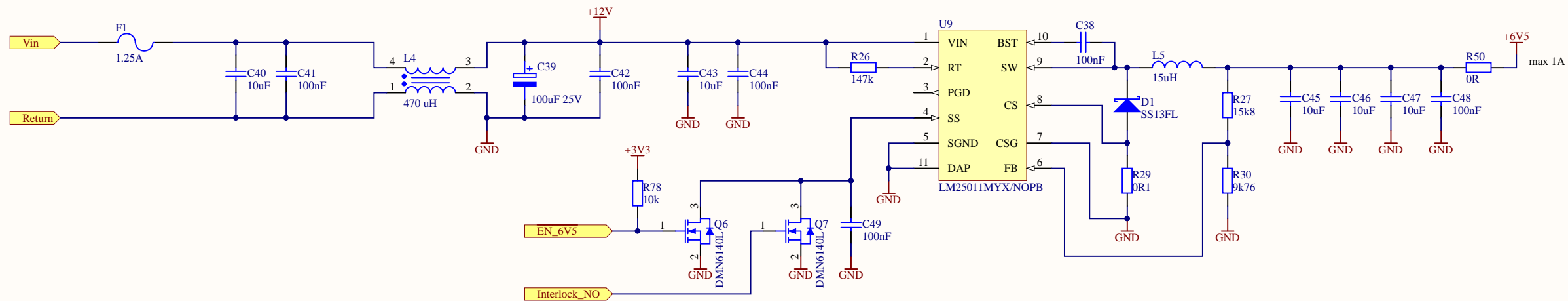
	Title: Analog In		
	Drawn: TLa	Number: 3.	Rev: MLA-0387-A2 PA3
	Checked: GSc	Date: 7-9-2017	Sheet: 3 of: 6
	File: Analog in.SchDoc		



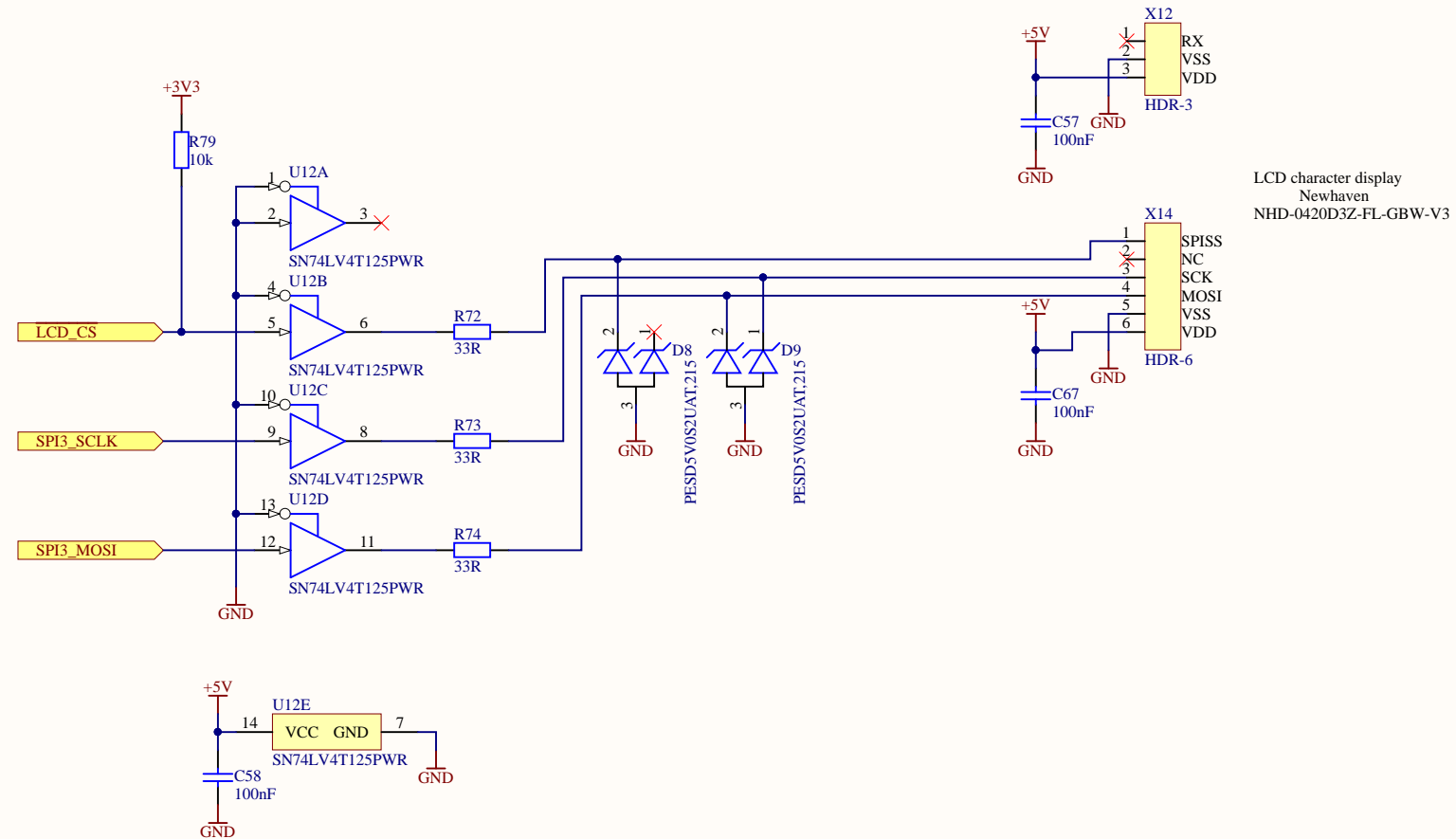
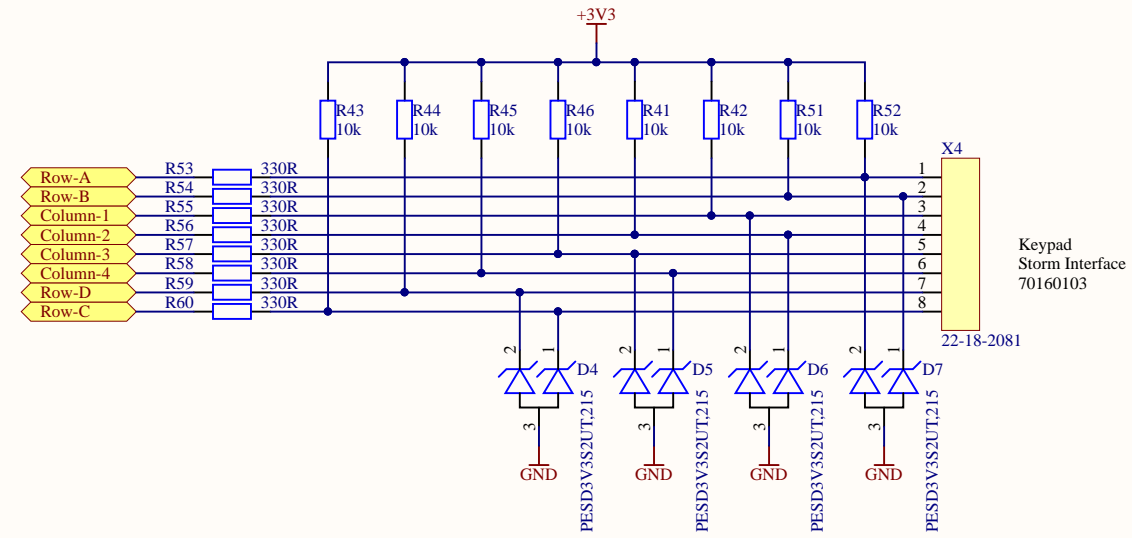
2nd order Butterworth filter
 -3dB @ 100Hz
 Gain= 2



		Title:	
		High Voltage Power Supplies	
Drawn: TLa	Number: 4.	Rev: MLA-0387-A2 PA3	
Checked: GSc	Date: 7-9-2017	Sheet: 4 of: 6	
File: HV Power supplies.SchDoc			



	Title: Power Supplies	
	Drawn: TLa	Number: 5.
Checked: GSc	Date: 7-9-2017	Sheet: 5 of 6
File: Power supplies.SchDoc		



	Title: User Interface	
	Drawn: TLa	Number: 6.
Checked: GSc	Date: 7-9-2017	Sheet: 6 of: 6
File: User Interface.SchDoc		