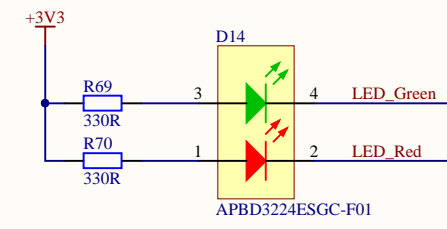
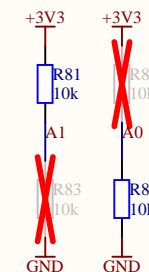
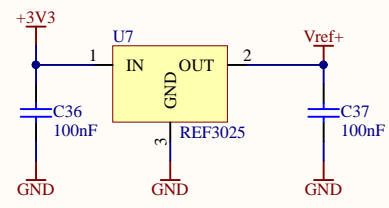
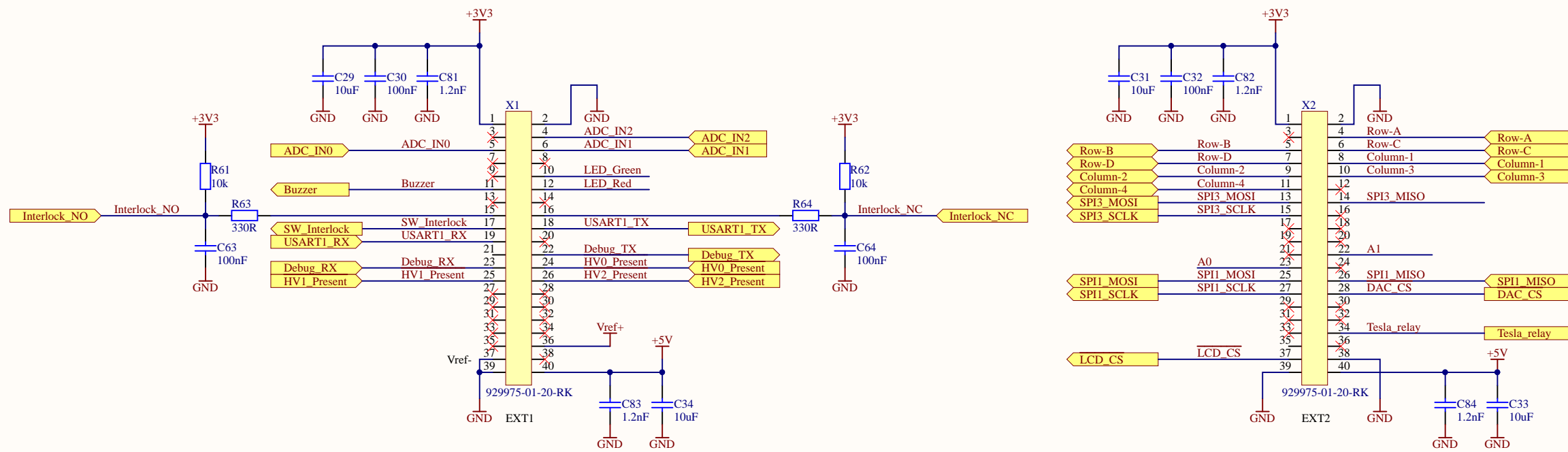


		Title: HSB MRTS Anode-Tesla Top	
		Drawn: TLa	Number: 1.
Checked: GSc		Date: 28-11-2017	Sheet: 1 of 6
File: Top.SchDoc			

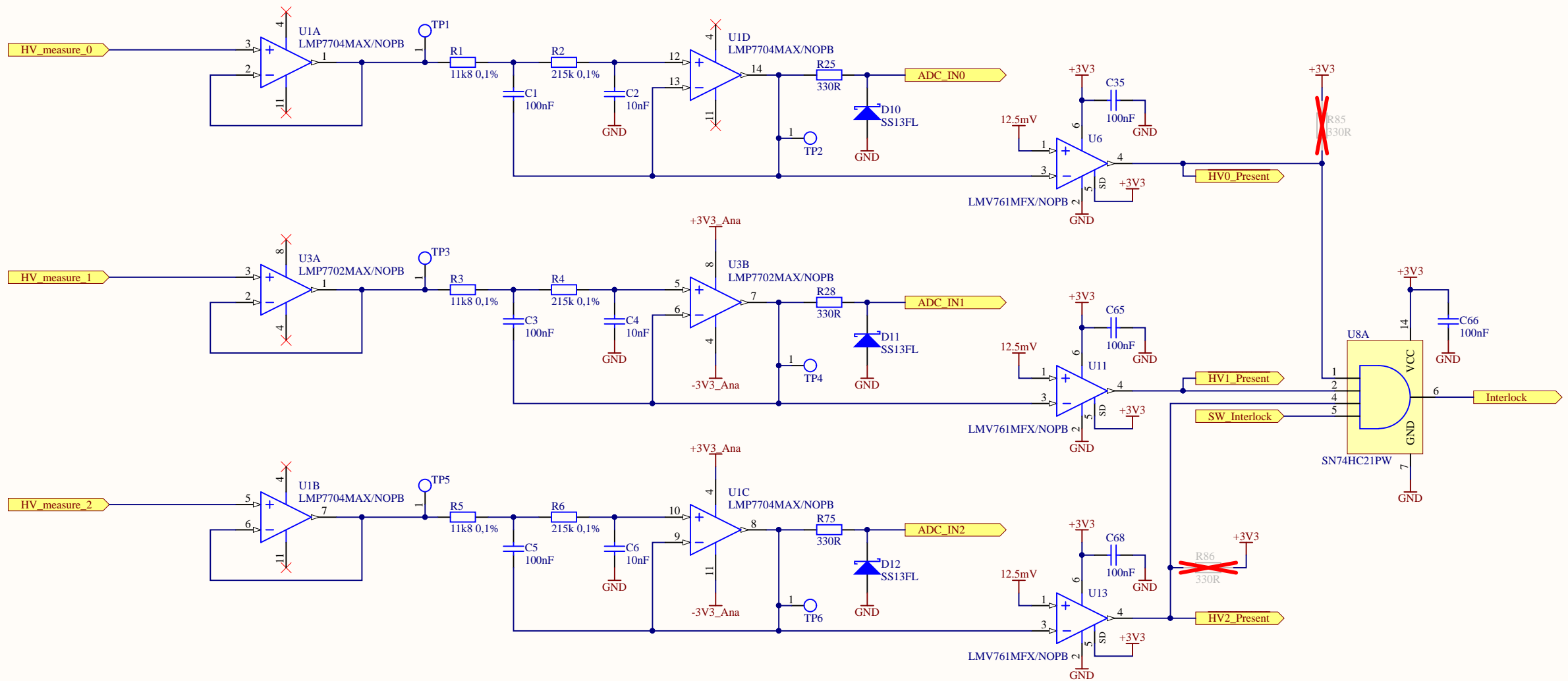


Remove jumper PWR_SEL
Remove resistor R2

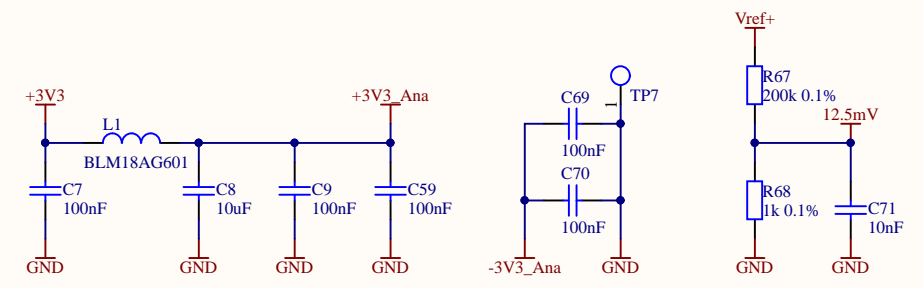
A1	A0	0	0
MLA-0387-A0	0	0	
MLA-0387-A1	0	1	
MLA-0387-A2	1	0	



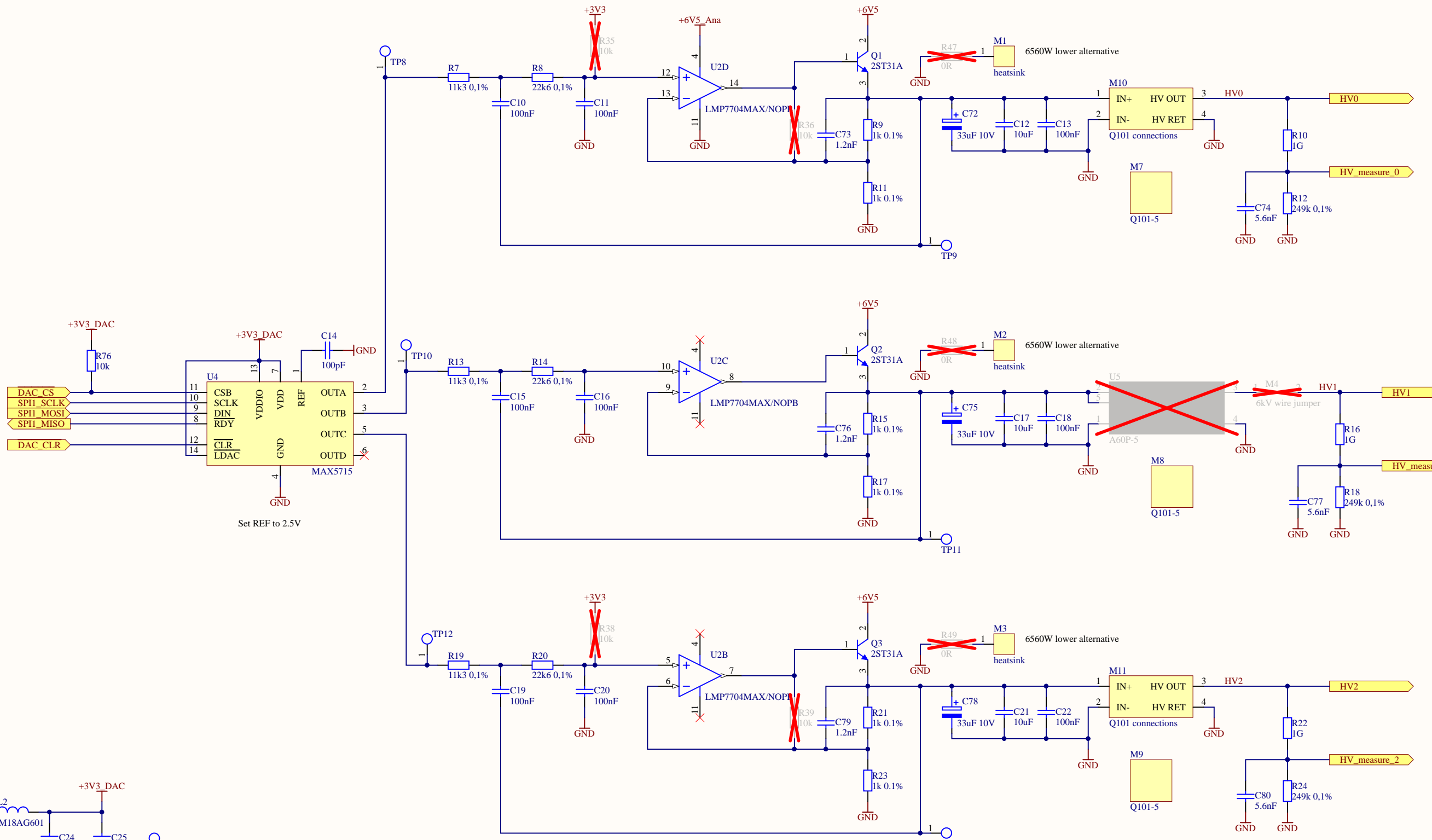
 MicroKey <small>Embedded Technology Experts</small>	Title: Microcontroller	
	Drawn: TLa	Number: 2.
Checked: GSc	Date: 28-11-2017	Sheet: 2 of 6
File: Microcontroller.SchDoc		



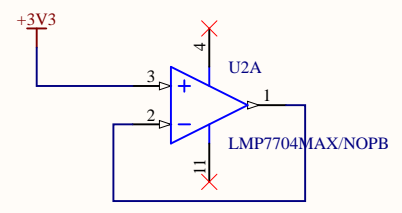
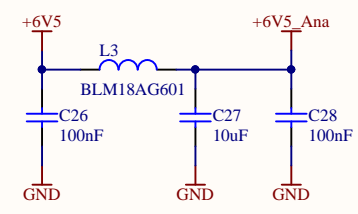
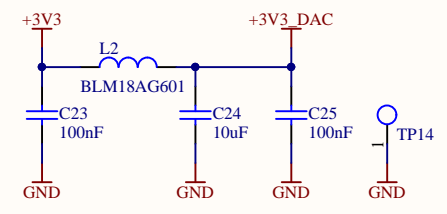
2nd order Butterworth filter
 -3dB @ 100Hz
 Gain= 1



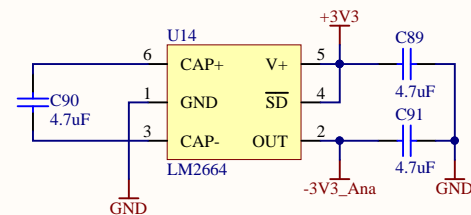
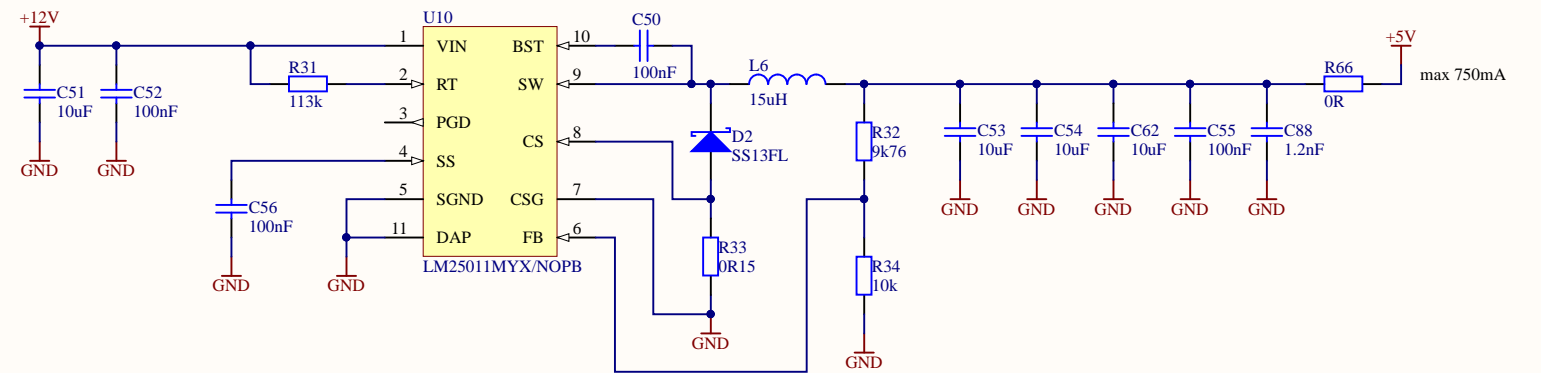
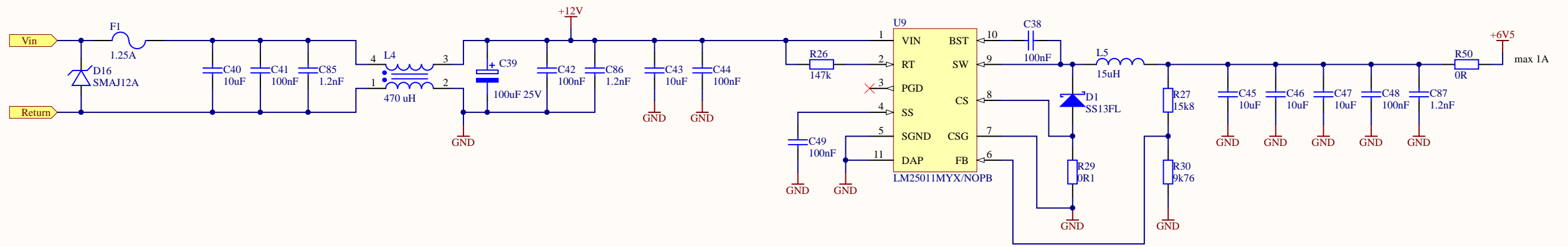
	Title: Analog In	
	Drawn: TLa	Number: 3.
Checked: GSc	Date: 28-11-2017	Sheet: 3 of 6
File: Analog in.SchDoc		



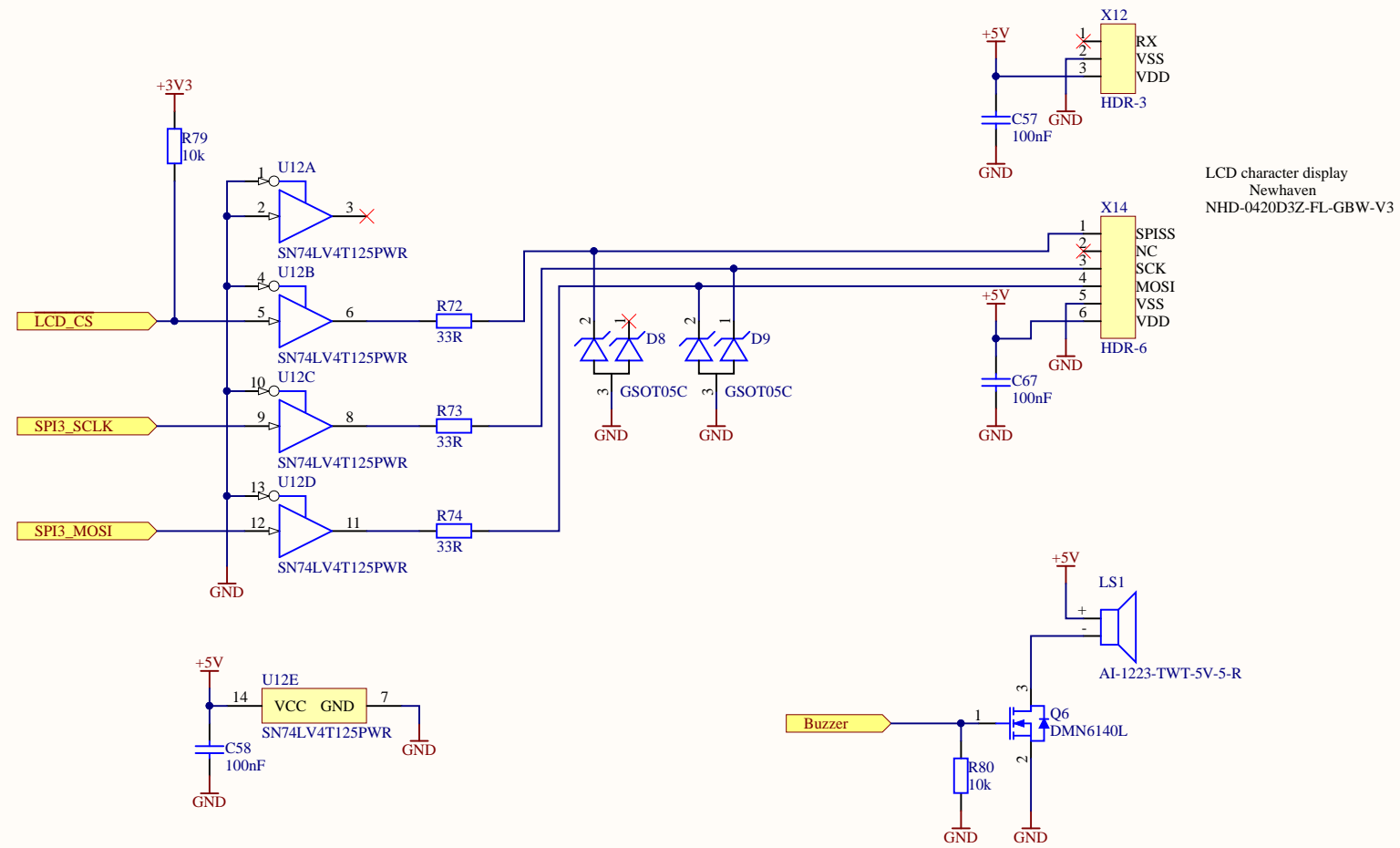
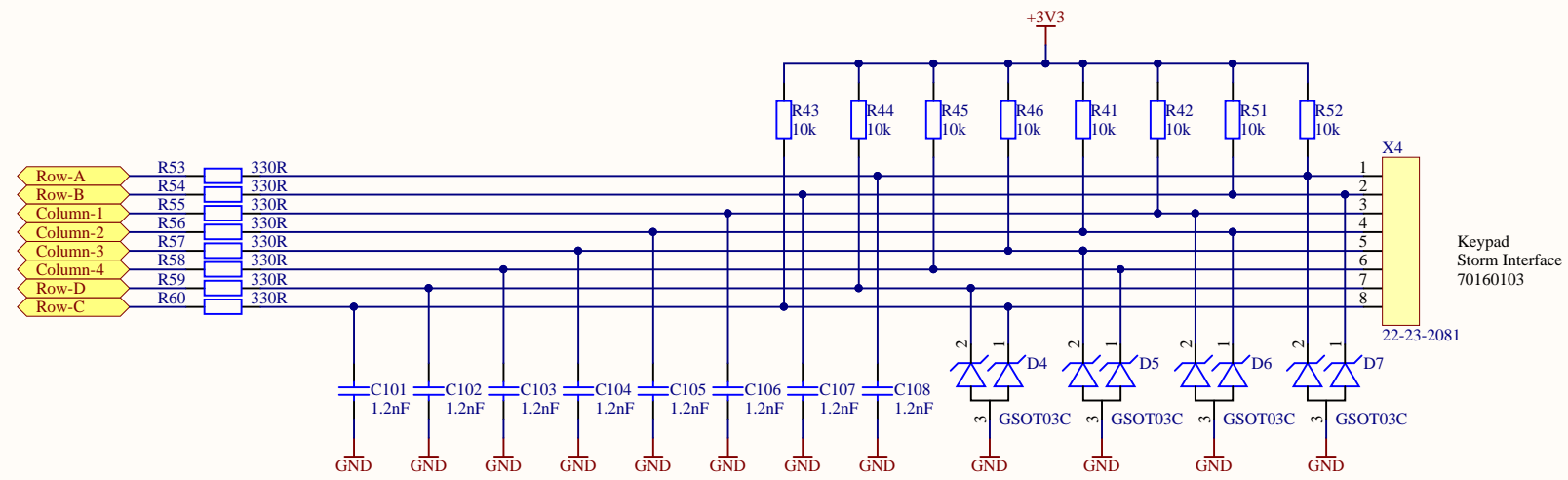
2nd order Butterworth filter
 -3dB @ 100Hz
 Gain= 2



		Title: High Voltage Power Supplies	
Drawn: TLa	Number: 4.	Rev: MLA-0387-A2 PBO	
Checked: GSc	Date: 28-11-2017	Sheet: 4 of 6	
File: HV Power supplies.SchDoc			



	Title: Power Supplies	
	Drawn: TLa	Number: 5.
Checked: GSc	Date: 28-11-2017	Sheet: 5 of 6
File: Power supplies.SchDoc		



	Title: User Interface	
	Drawn: TLa	Number: 6.
Checked: GSc	Date: 28-11-2017	Sheet: 6 of 6
File: User Interface.SchDoc		